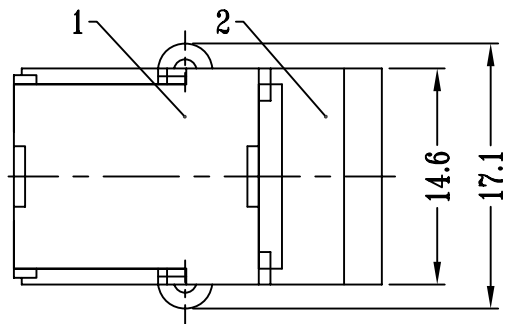
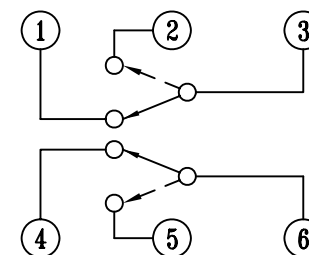


CAD FILE:



TIMING LAG DIAGRAM

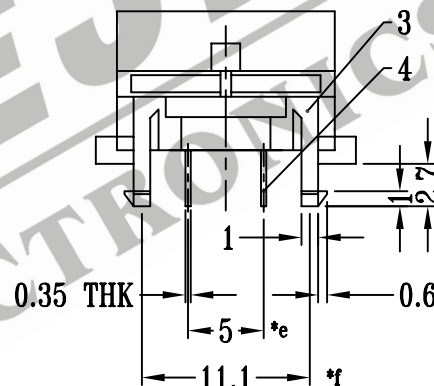
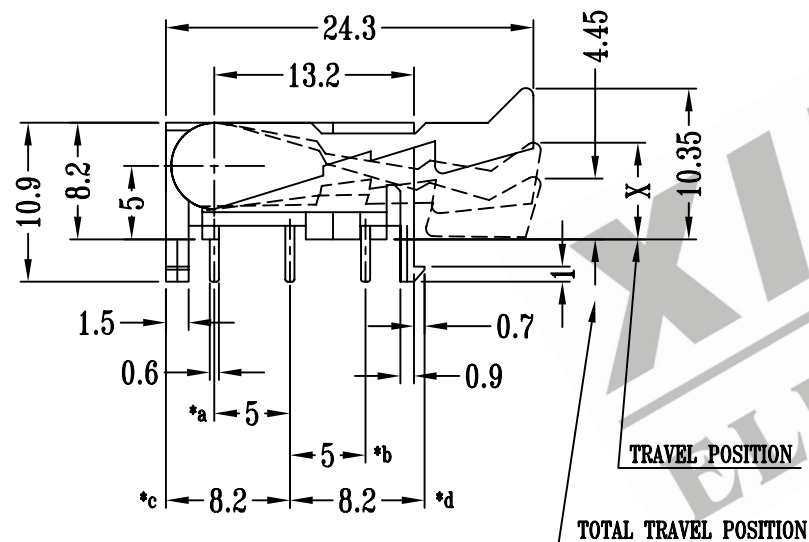
①	③	ON	OFF
②	③	OFF	ON
④	⑥	ON	OFF
⑤	⑥	OFF	ON



SCHEMATIC (NON-SHORTING)

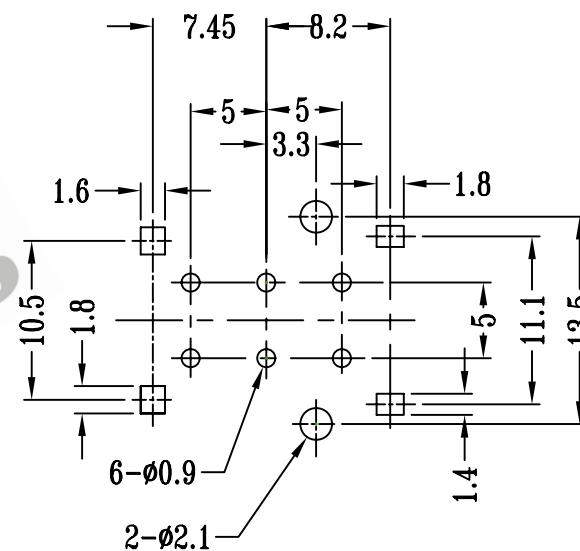
TRAVEL POSITION(X) (MM)

8.3 6.0



P.C.B.MOUNTING FACE

OPERATING FORCE: 50±20 gf



P.C.B. LAYOUT

注:带"*"表示关键尺寸(6个)

8	CONTACT (CLIP)	PBS	2	Ag PLATED	TOLERANCE UNLESS SPECIFIED	SHENZHEN XIEJIA ELECTRONICS CO.,LTD.				
7	SPRING	STEEL WIRE	1	TEMPER						
6	PRESS BAR	NYLON	1	GREY	WITHIN : 1.5±0.1mm	ISSUE	DATE	DESCRIPTIONS OF REVISION		APPD.
5	INSERT CASE	NYLON	2	WHITE	OVER : 1.5±0.2mm					
4	TERMINAL	BRASS STRIP	6	Ag PLATED OVER Ni PLATED	TITLE : HOOK SWITCH		UNIT : mm	DRWG NO.: XJ-DR-HS22L04-00		
3	CASE	NYLON	1	BLACK	MODEL: HS-22L04		SCALE: 1:1	DWN.	ZHOUYU	2005-11-28
2	KNOB	POM	1	WHITE	ALL MATERIALS MUST BE COMPLIANT TO ROHS			CHK'D	FANGYING	2005-11-28
1	COVER	POM	1	BLUE				APPD.	KANGXINAN	2005-11-28
NO.	PARTS	MATERIALS	Q'TY	FINISH						